

Arion Real-time Technology

The Arion-IO Module provides direct access between application and I/O boards' through the Arion100 network. With this solution every application can access to remote I/O with simples Read and Write command. All data are time-stamped and transmitted on the real-time network.

Features



Communication:

- Rating: 100 Mbps
- Transmission efficiency: Up to 85%

Usability:

- Data access with basic Read and Write command
- Data sharing between application
- Data time-stamping with 1 μ s reliability
- System configuration with simples XML files



Physical and environmental condition

- Industrial DIN Format: 218 x 133 x 180 mm
- Weight: 2.4Kg
- Temperature: Industrial Range -40°C to +85°C
- Fan cooling: Module temperature and voltage monitoring
- External Power Supply: 18 to 60 V_{DC} or 15 to 45 V_{AC}
- Complete Galvanic Isolation
- Maximum Slots power supply
 - 5V : 15 A
 - 3.3V : 22 A

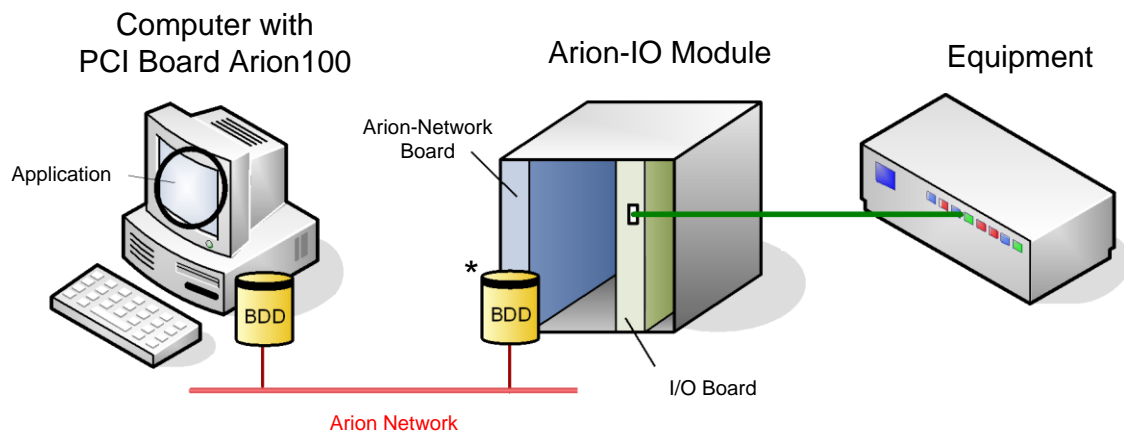
I/O Boards products line

11 slots are available in the Arion-IO Module for I/O boards:

- Boolean Boards: Digital I/O, Relay Outputs, Frequencies Inputs
- Analog Boards: Analog I/O, Frequencies Outputs, PWM I/O, Arbitrary Generator Rvdt/Lvdt Outputs, Temperature RTD100/1000 & TCK
- Communication Boards: Arinc 429, CAN, RS485/232
- Processor Board: Power-PC I/O

Application example

Arion-IO Module can be use in many application-fields: Industrial Automatism, Monitoring, Simulation real-time solutions.



*Arion distributed Database

Abstract

- **User-friendly:**
Data access with basic Read and Write command
System configuration with simple XML files
- **Real-time transmission:**
With Arion network technologies
- **Data time-stamping:**
All data are time-stamped with 1 μ s reliability
- **Compatibility:**
Arion technology support different OS as Windows, Linux, VxWorks